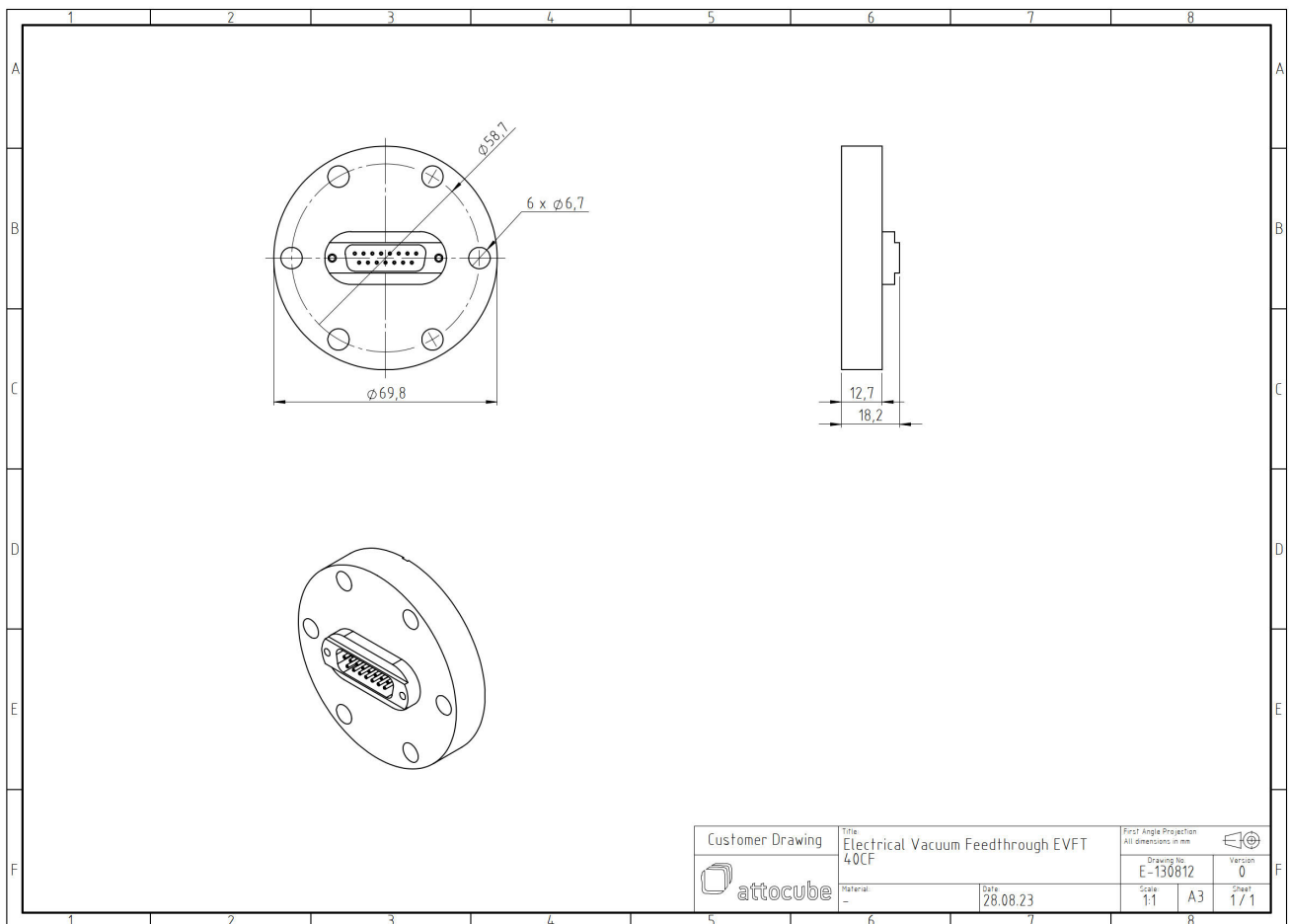


# Electrical Vacuum Feedthrough EVFT 40CF

1015853

## Technical Specifications

Size and Dimensions	
	343 g
flange size	DN40
norm (standard)	DIN 41652, MIL-C-24308
outer diameter flange	69.8 mm
outer dimension connector	38 mm x 16.5 mm
pin diameter	1 mm
Materials	
flange	stainless steel 316L
pins	NiFe, gold coated
flange sealing	copper
electrical feedthrough seal	glass-ceramic
General Specifications	
max. leakage rate	5e-10 mbar-l/s He
sealing mechanism	CF: copper gasket (screw fixation)
connector	1 x SubD-15 male
max. current per pin	5 A
continuous current per pin	3 A
Working Conditions	
operating pressure	5e-11 mbar (UHV)
operating temperature	-200 °C to 230 °C
Scope of Delivery	
flange incl. feedthrough	40CF flange with SubD-15 feedthrough (no gasket incl.)



Customer Drawing 	Title Electrical Vacuum Feedthrough EVFT 40CF	First Angle Projection All dimensions in mm	
	Material -	Date 28.08.23	Drawing No. E-130812
		Scale 1:1	Version 0
		Sheet A3	Sheet 1 / 1